

PSLBB

LED BILLBOARD LIGHT

PROJECT

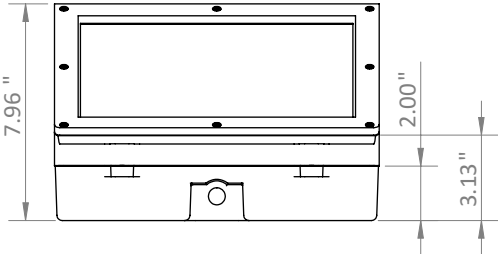
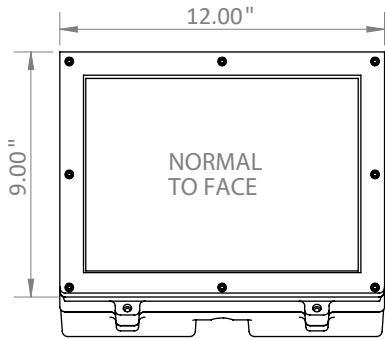
TYPE

- / Field-repairable and field-upgradable to provide a long-lasting solution
- / Unique built-in module to allow field-selectable 4 levels of lumen output for optimum illumination
- / 20kV standard surge protection with additional built-in backup 4kV/6kV surge protection integrated
- / Precision injected molded PMMA acrylic material utilizing refractive technology that will not yellow over time like polycarbonate materials
- / Energy efficient light engine is mounted to an aluminum heat sink for maximum heat transfer
- / Easily installs on existing mounting poles
- / Limited material warranty for 10 years

- / 5000K
- / IP65 Rated
- / DLC Listed
- / UL1598 Listed (E486219)
- / L90 > 60,000 hrs
- / 100-277 V ; 50/60Hz
- / >.97 Power Factor
- / <15% Total Harmonic Distortion (Typical)
- / -40° Min. to 45° Max. Temperature



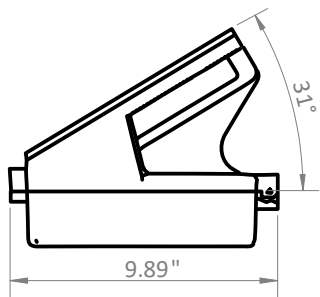
Weight (lb.): 17.0



Ordering Information Example: PSLBB1G-00

Fixture	Drive Current	CCT	Reserved
PSLBB	4 - 40 w 6 - 60 w 8 - 80 w 1 - 105 w	G - Grey B - Brown	00

Fixture	Product Code			Lumen Output	Luminaire Efficiency (LPW)	Standard CRI
	Input Power (Watts)	Input Voltage	Frequency (Hz)			
PSLBB	40	100 - 277	50/60	5000	123	70+
	60			7100	118	
	80			9100	114	
	105			11000	105	



PSLBB

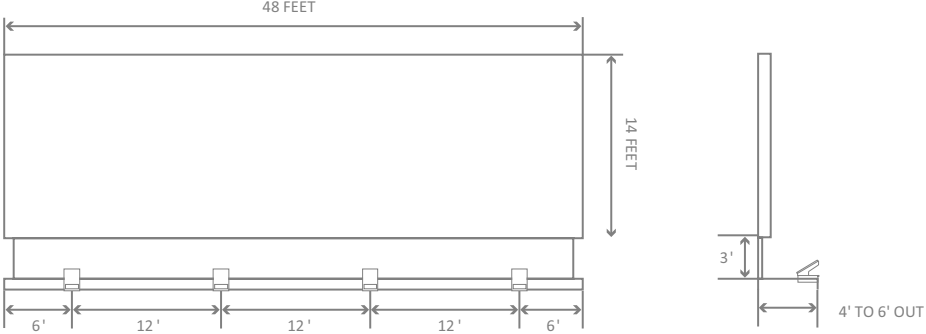
LED BILLBOARD LIGHT

PROJECT _____

TYPE _____

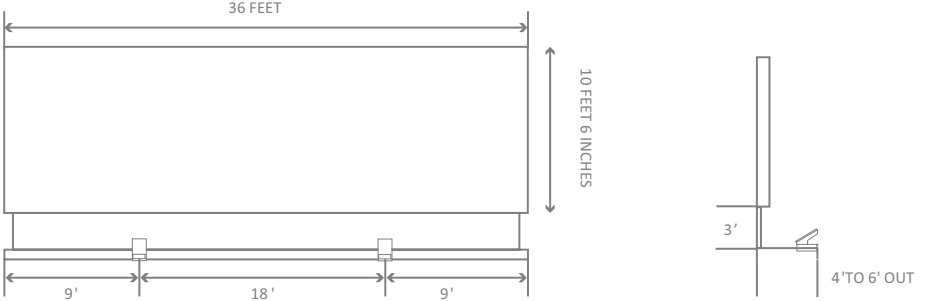
14' x 48' BULLETIN

Best results: Install each fixture approximately 3 feet down from the base of the copy and 4 to 6 feet from the face.



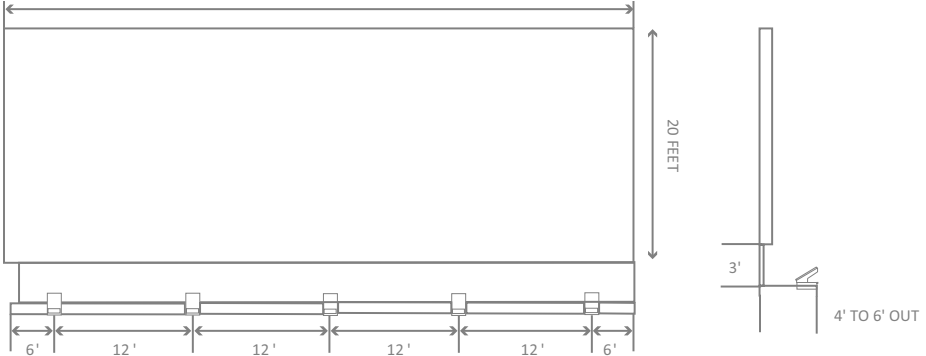
10.6' x 36' BULLETIN

Best results: Install each fixture approximately 3 feet down from the base of the copy and 4 to 6 feet from the face.



20' x 60' BULLETIN

Best results: Install each fixture approximately 3 feet down from the base of the copy and 4 to 6 feet from the face.



POSTER PANEL

Best results: Install each fixture approximately 2 to 3 feet down from the base of the copy and 4 to 6 feet out from the face. Space one fixture in the center of the face.

